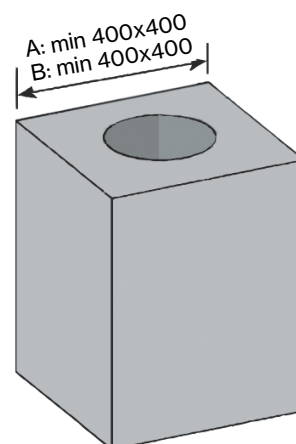


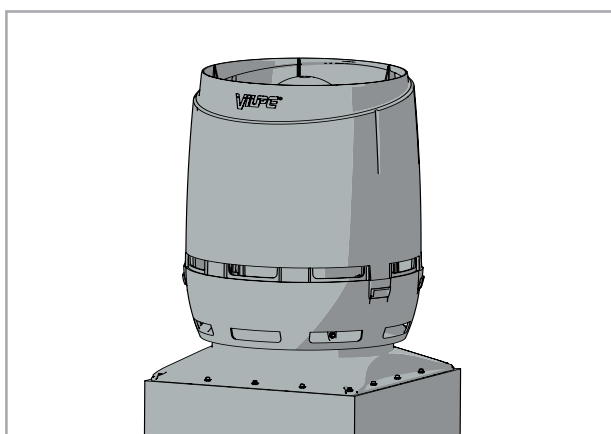
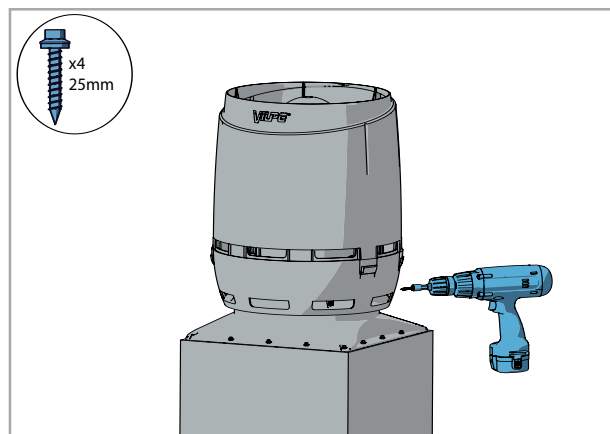
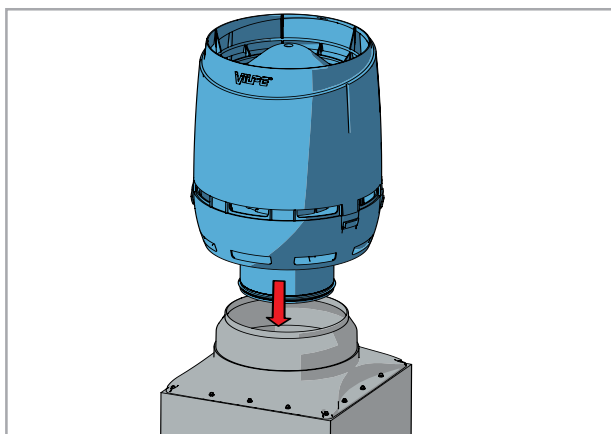
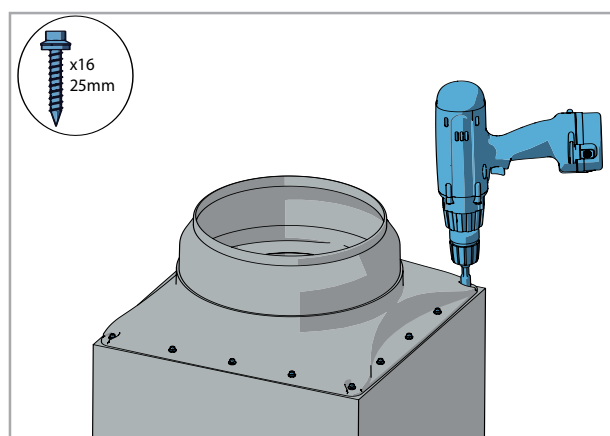
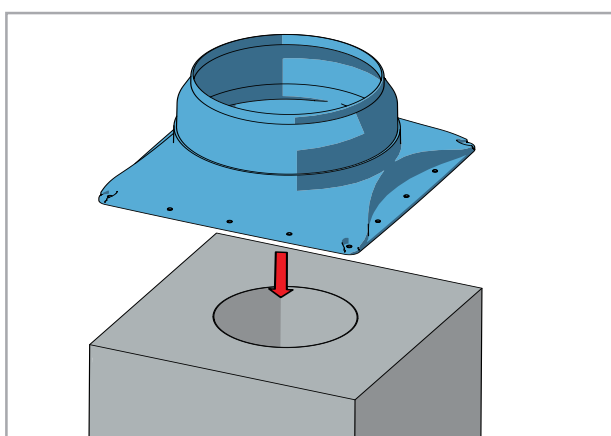
FLOW XL & Installation set

A: 200S FLOW XL

B: 250S FLOW XL



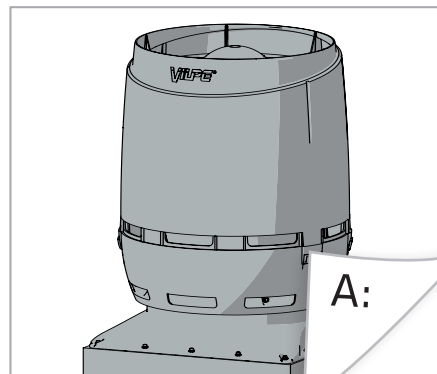
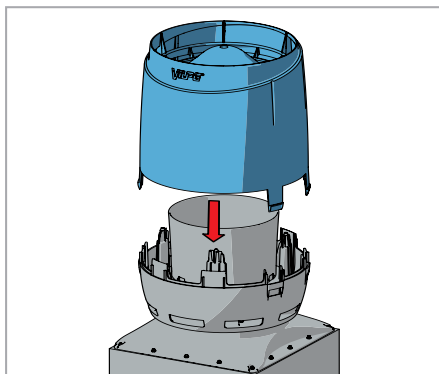
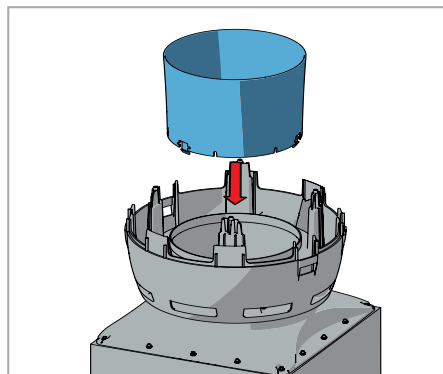
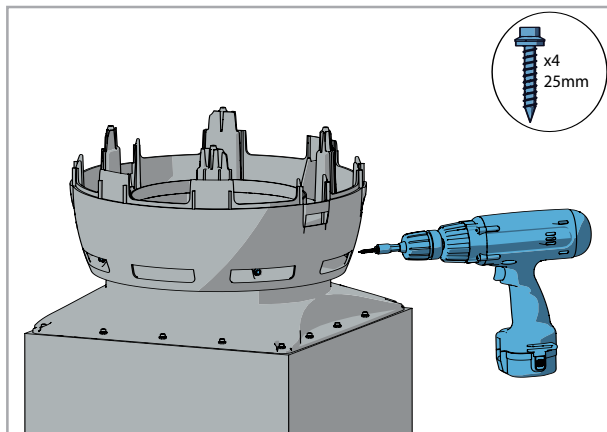
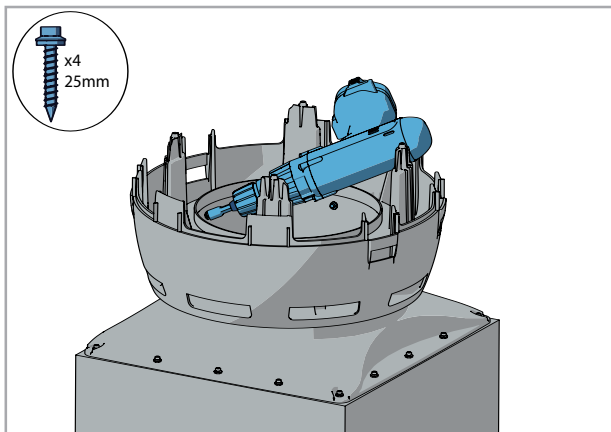
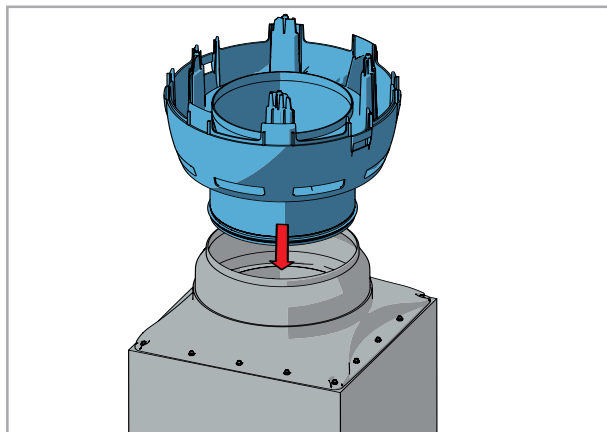
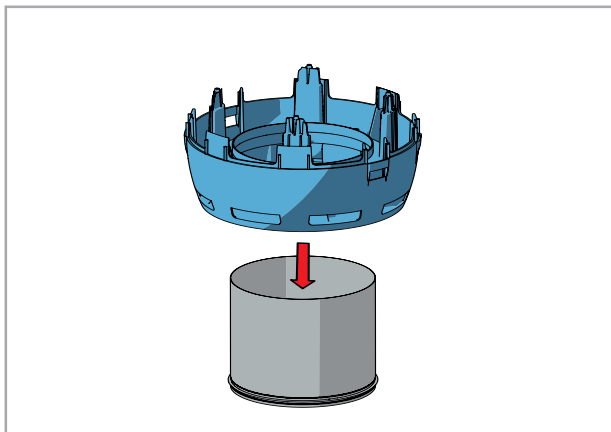
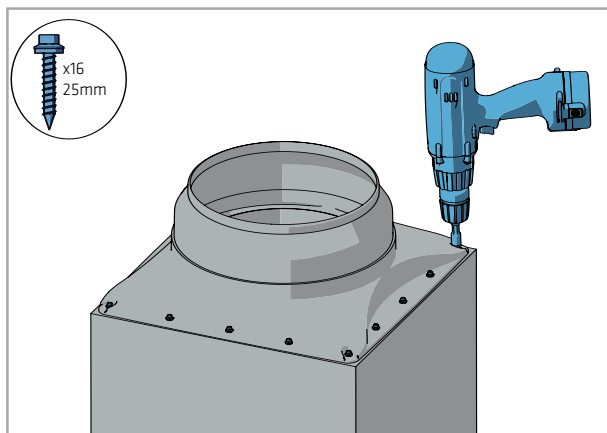
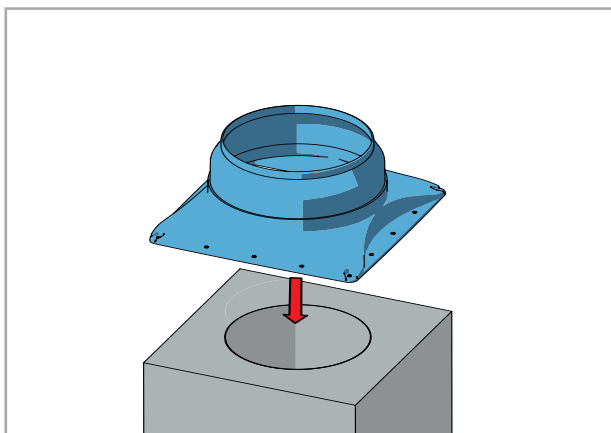
A: 200S FLOW XL



B:

FLOW XL & Installation set

B: 250S FLOW XL



T80117